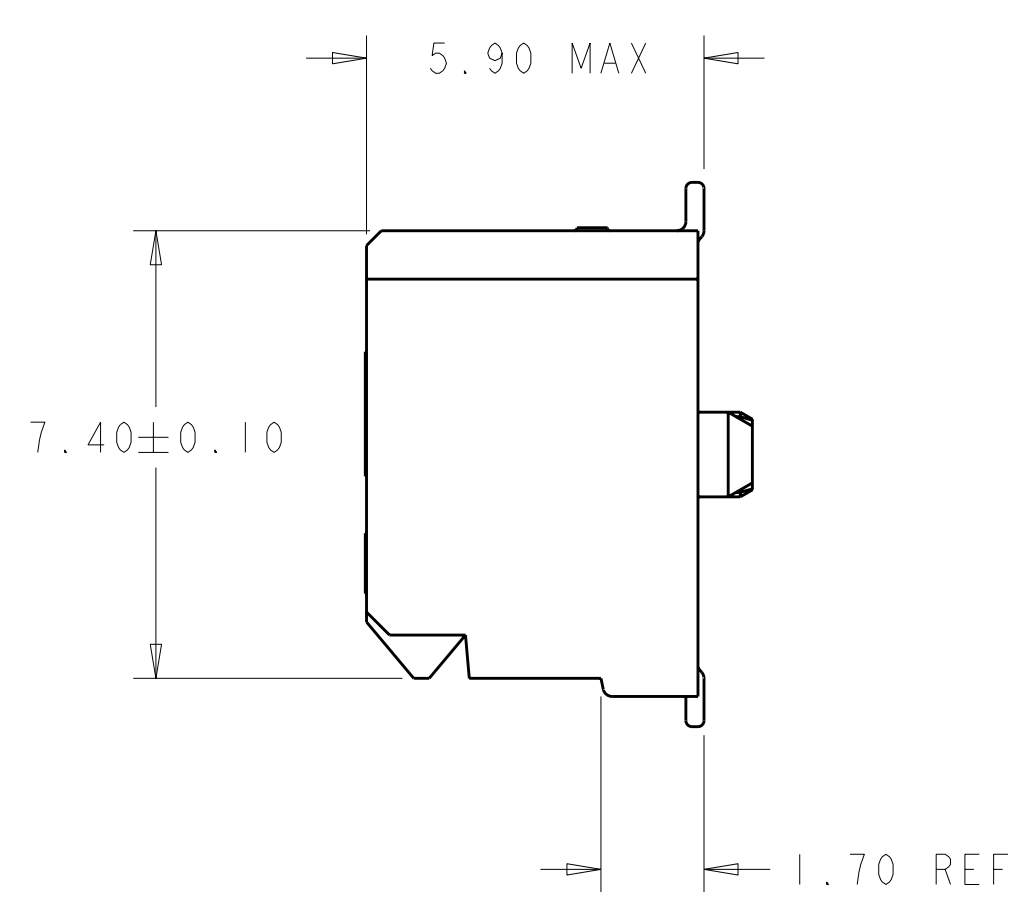
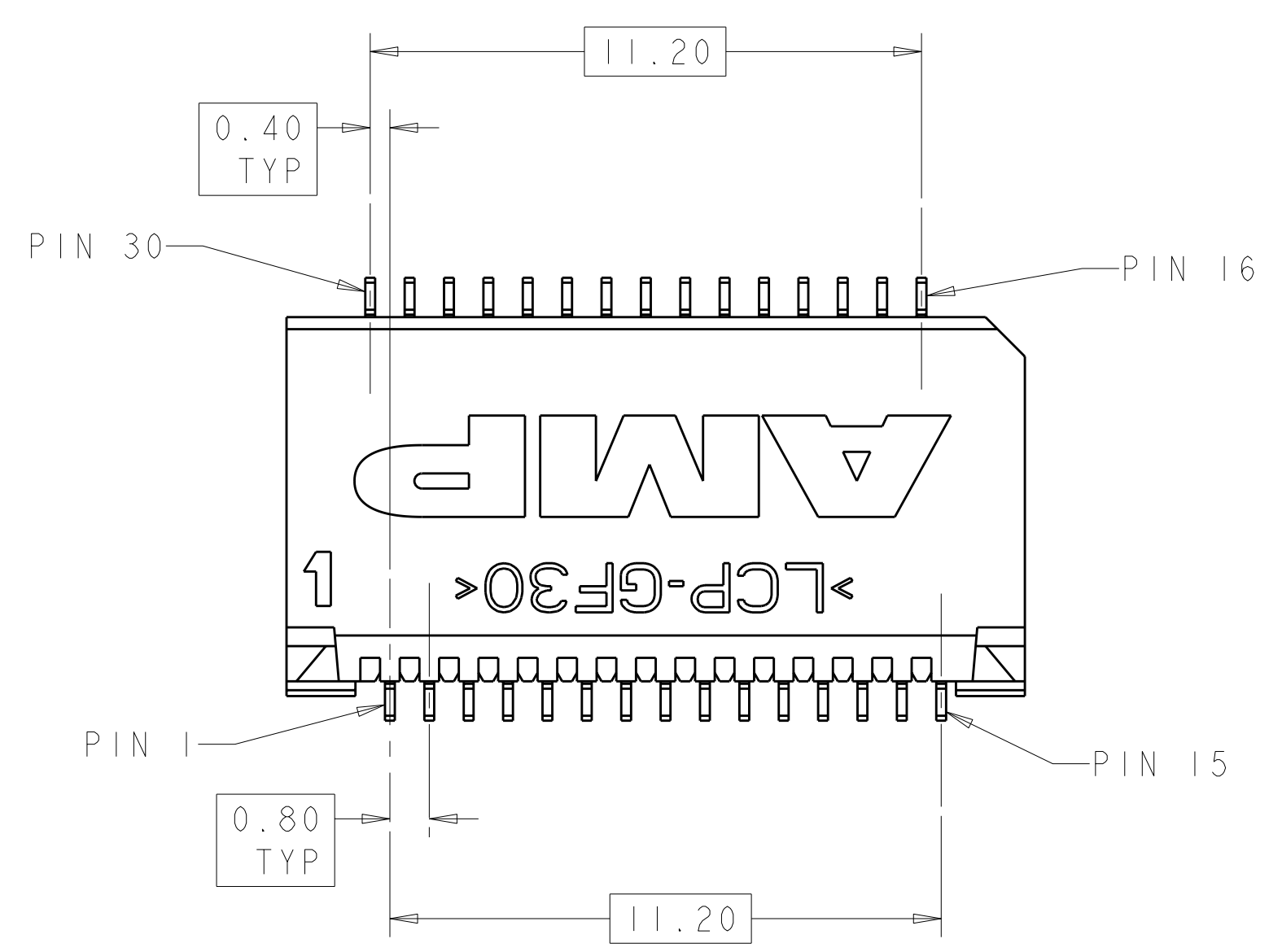
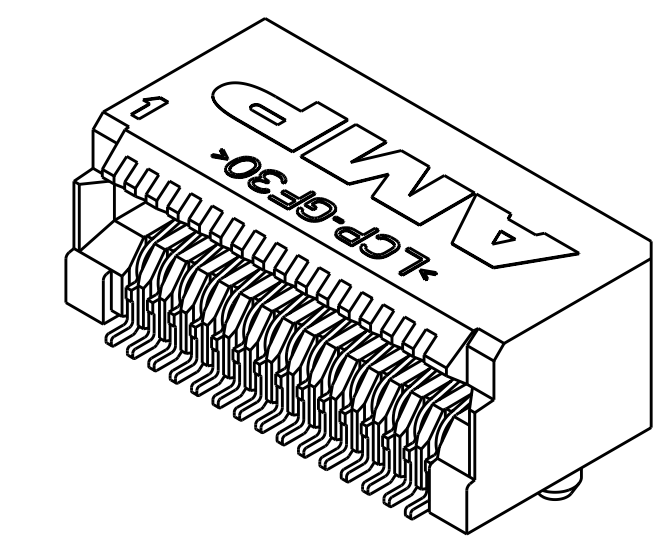
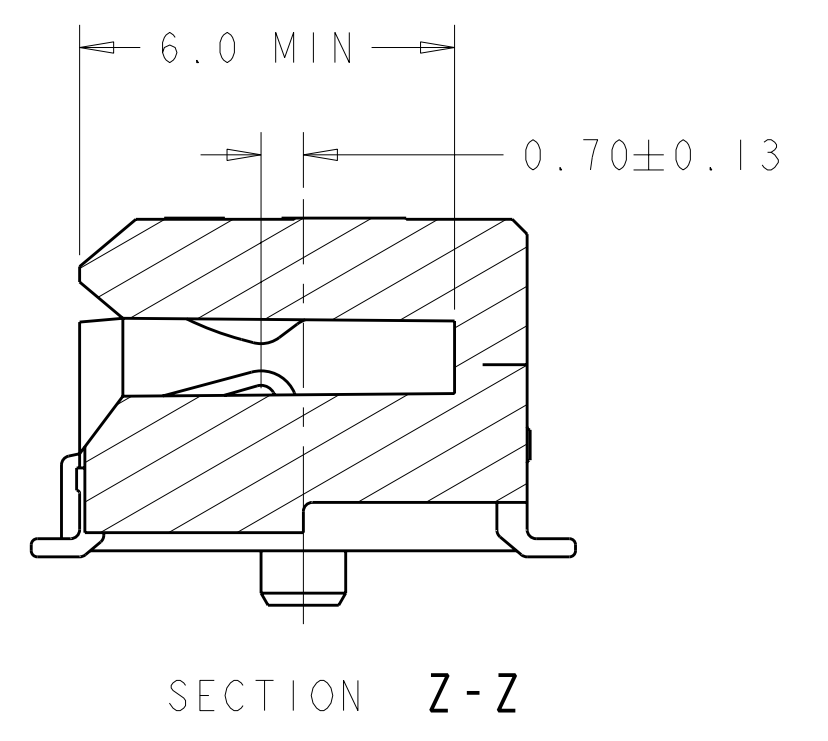
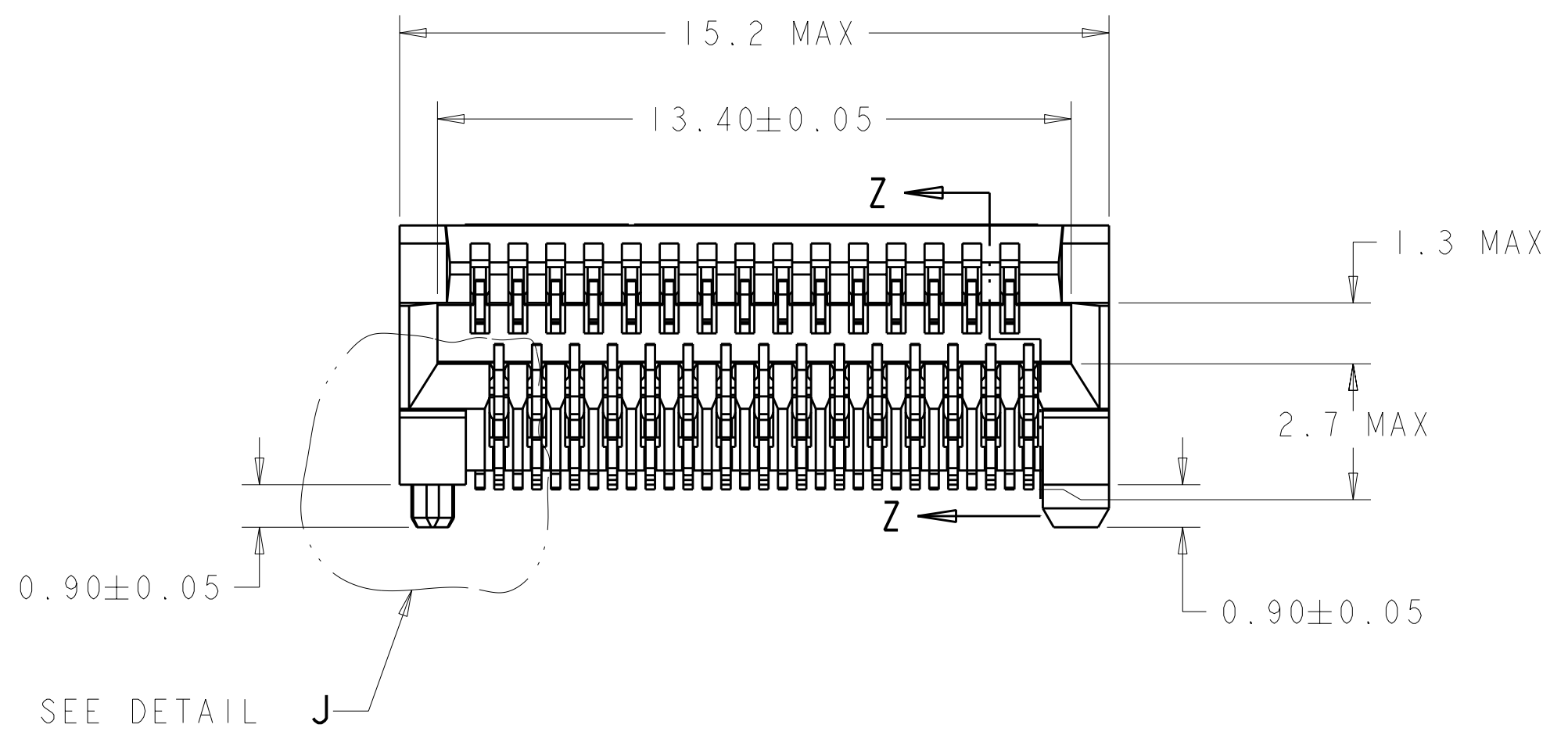


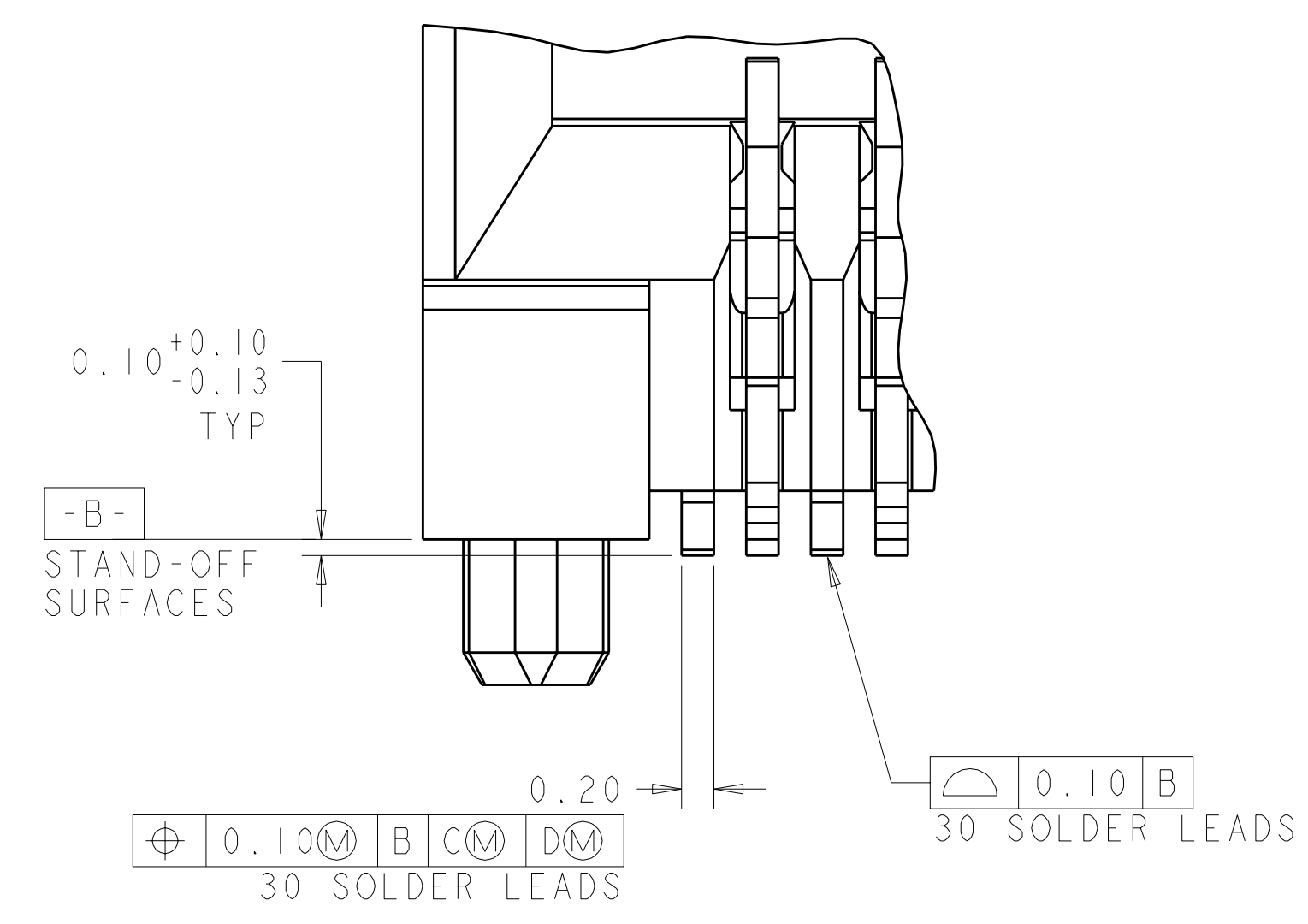
| LOC | DIST | REV | DATE      | BY | CHKD | APVD |
|-----|------|-----|-----------|----|------|------|
| ES  | 00   | G1  | 14MAR2011 | RK | HMR  |      |



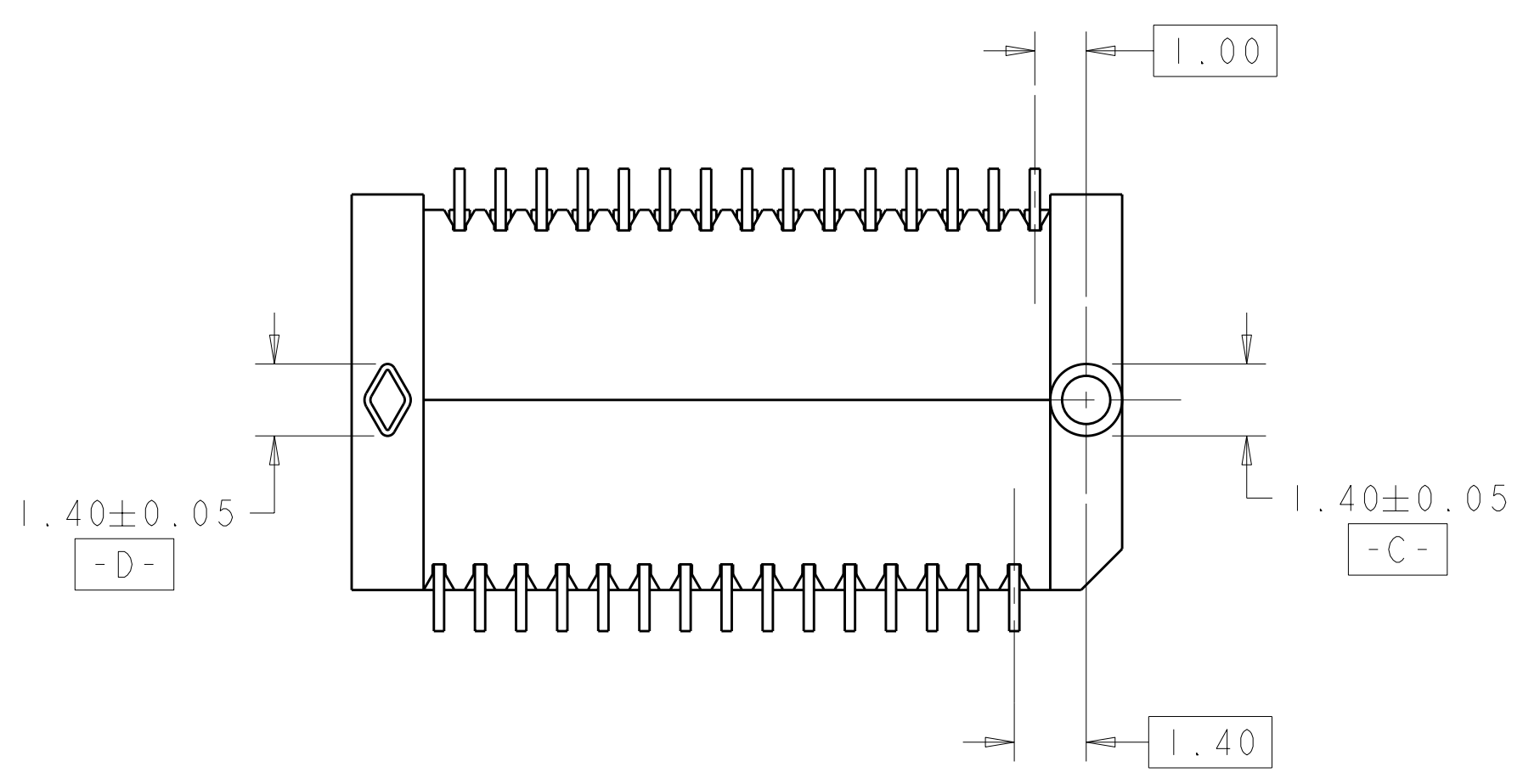
- PART COMPATIBLE WITH XFP MSA. REFER TO THE SFP MSA FOR DIMENSIONS NOT SHOWN ON THIS PRINT.
- HOUSING: HIGH TEMPERATURE LCP, UL 94V-0 RATED, BLACK. CONTACT: PHOSPHOR BRONZE.
- CONTACTS: 0.00038 MIN GOLD IN CONTACT AREA, 0.00013 MIN GOLD ON SOLDER AREA, OVER 0.0038 MIN NICKEL UNDERPLATE ON ENTIRE CONTACT.
- PACKAGED PIECES PER REEL.
- GROUND, POWER AND SIGNAL PAD ARRANGEMENT TO BE DETERMINED BY CUSTOMER.
- DATUMS AND BASIC DIMENSIONS ESTABLISHED BY CUSTOMER.
- CONTACTS: 0.00076 MIN GOLD IN CONTACT AREA, 0.00013 MIN GOLD ON SOLDER AREA, OVER 0.0038 MIN NICKEL UNDERPLATE ON ENTIRE CONTACT.
- SOLDER MASK KEEP OUT AREA.
- CONTACTS: 0.00127 MIN GOLD IN CONTACT AREA, 0.00013 MIN GOLD ON SOLDER AREA, OVER 0.0038 MIN NICKEL UNDERPLATE ON ENTIRE CONTACT.



SCALE 5:1



DETAIL J  
SCALE 25:1



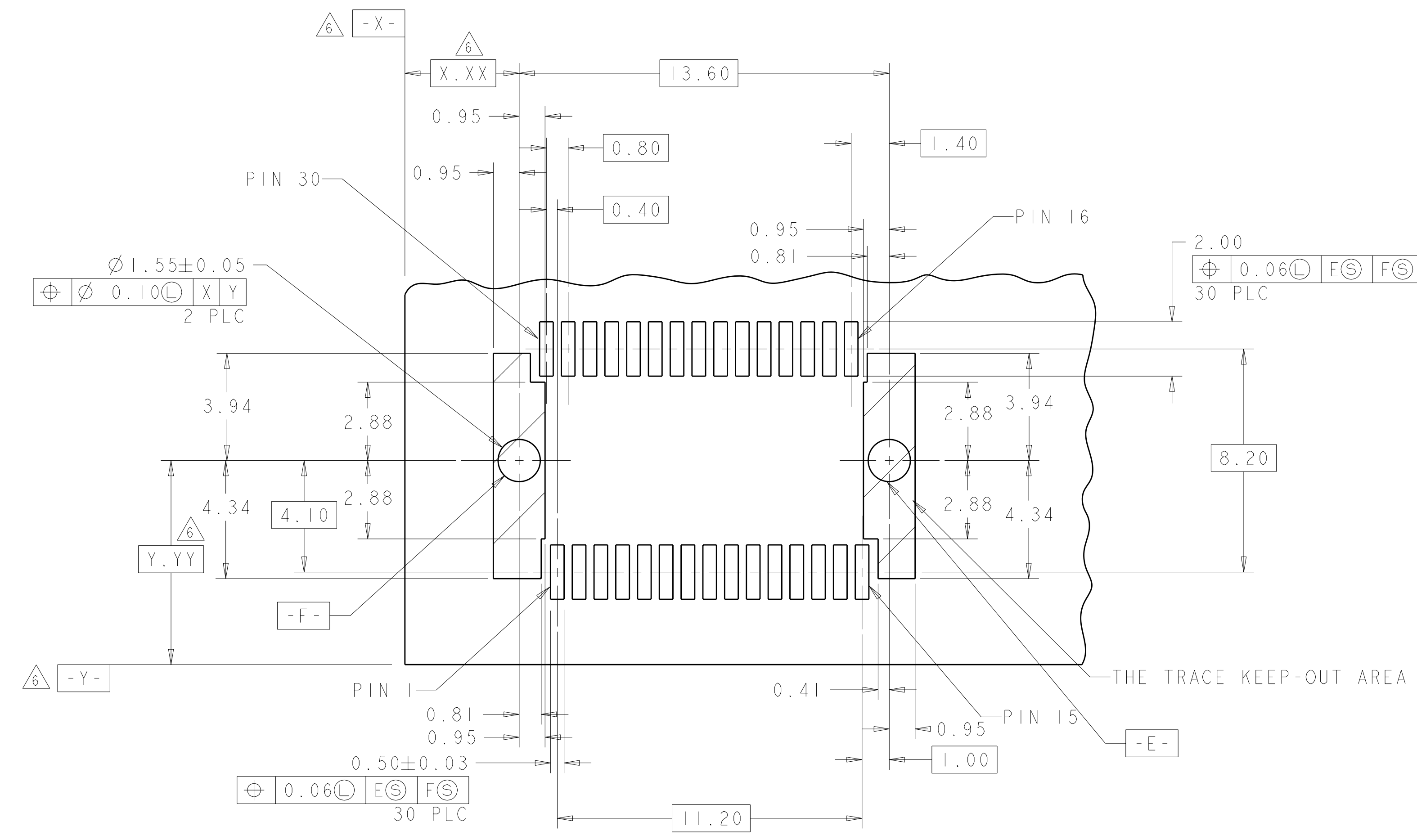
| FINISH | PART NUMBER |
|--------|-------------|
| 9      | 788862-3    |
| 7      | 788862-2    |
| 3      | 788862-1    |

|  |  |   |  |
|--|--|---|--|
| THIS DRAWING IS A CONTROLLED DOCUMENT.   |  | DWN: J. GERACE 15JAN02<br>CHK: J. KOPPENHEFFER 15JAN02<br>APVD: M. WALMSLEY 15JAN02 | NAME: PT CONNECTOR ASSEMBLY, 30 POSITION, XFP, RTANG, 0.8MM PITCH<br>PRODUCT SPEC: 108-1949<br>APPLICATION SPEC: 114-13017 |
| DIMENSIONS: mm<br>TOLERANCES UNLESS OTHERWISE SPECIFIED:<br>9 PLC ±<br>3 PLC ±0.10<br>5 PLC ±<br>4 PLC ±<br>ANGLES ± | MATERIAL: SEE TABLE<br>FINISH: SEE TABLE | WEIGHT: -<br>CUSTOMER DRAWING   | RESTRICTED TO: -<br>SCALE: 8:1<br>SHEET: 1 OF 2<br>REV: G1   |

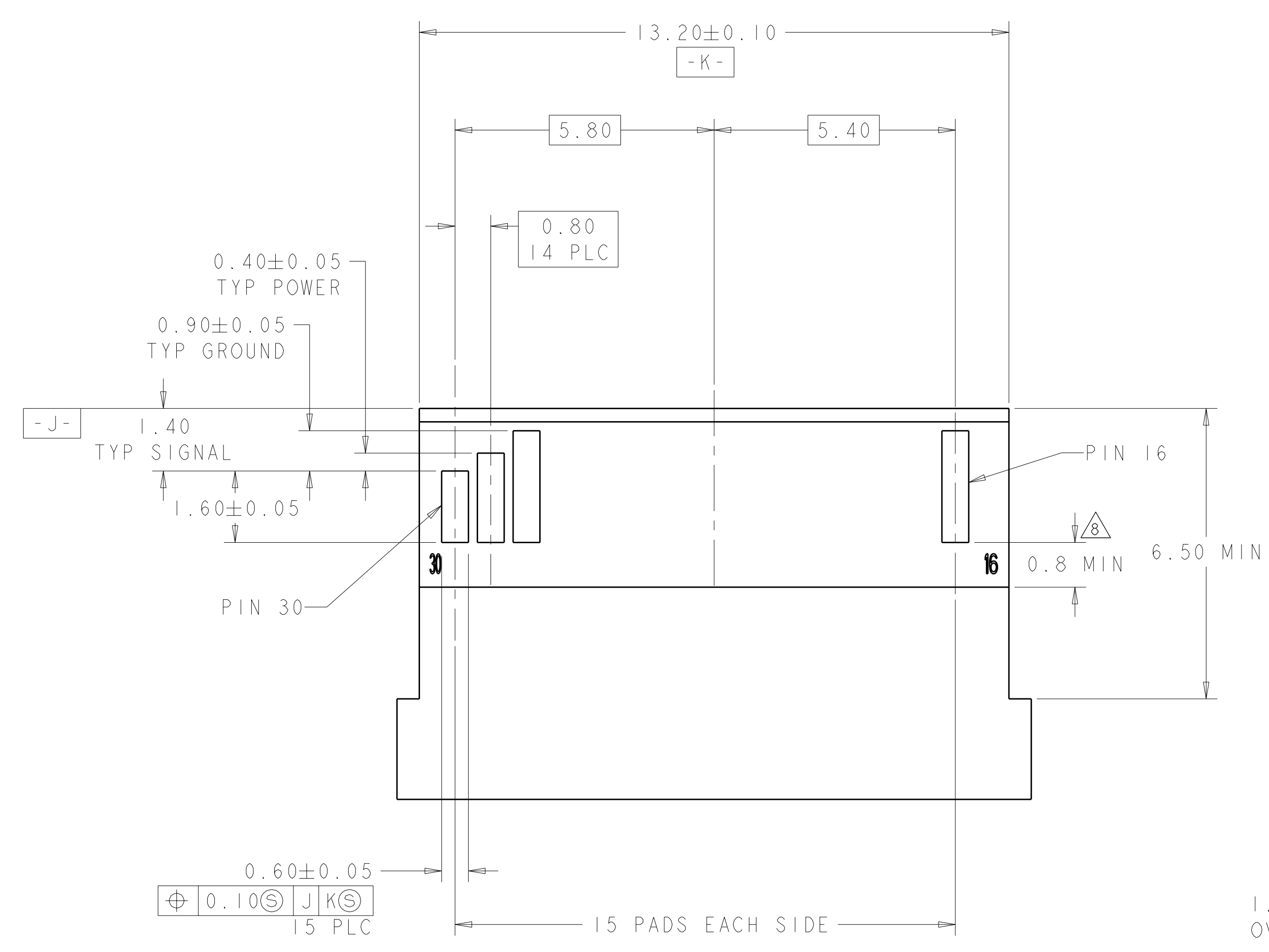
| LOC | DIST | REV | DATE | BY | APPD |
|-----|------|-----|------|----|------|
| ES  | 00   |     |      |    |      |

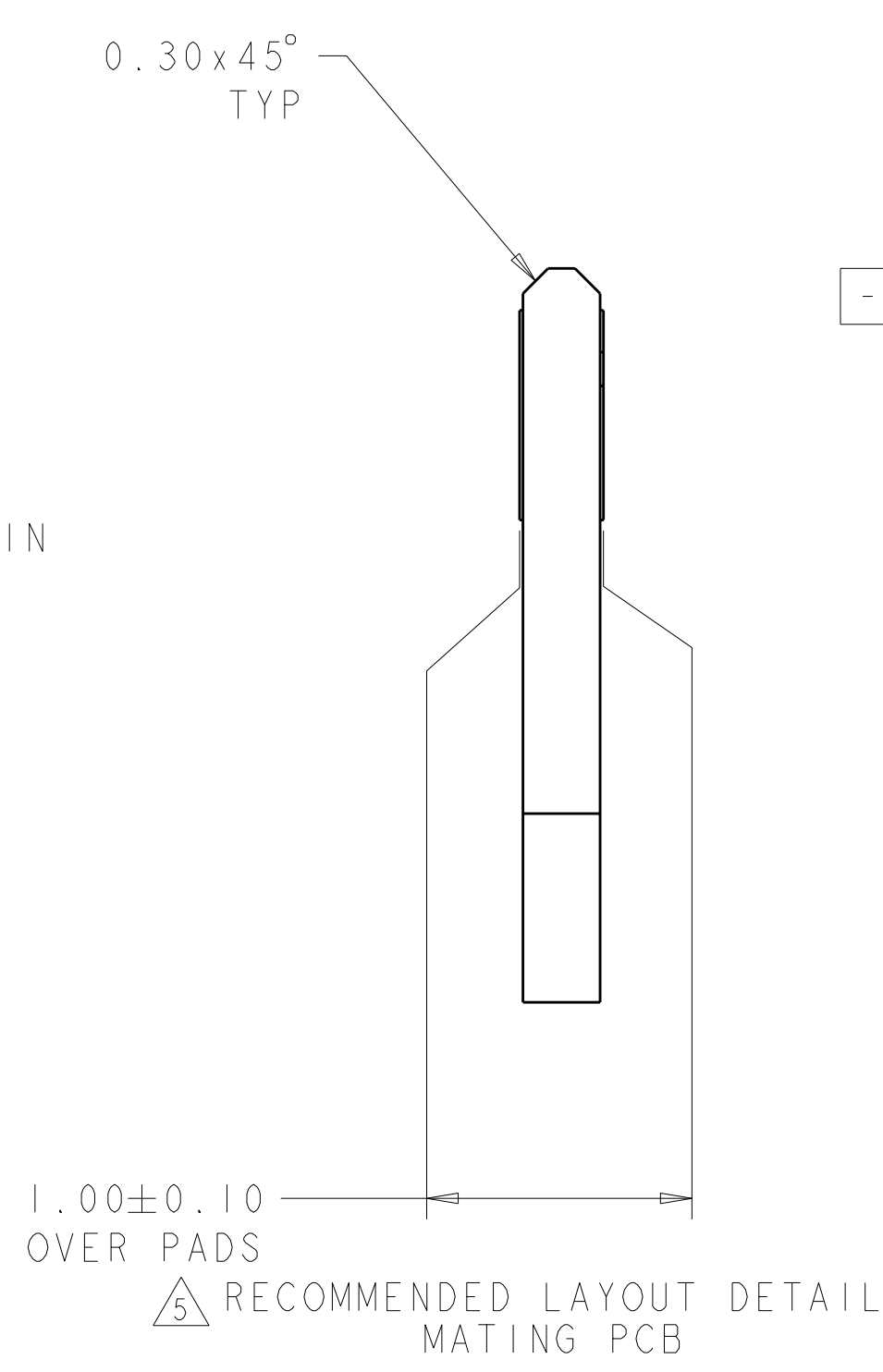
| REVISIONS |             | DATE | BY | APPD |
|-----------|-------------|------|----|------|
| 1         | SEE SHEET 1 |      |    |      |



RECOMMENDED PCB LAYOUT DETAIL  
CONNECTOR MOUNTING SIDE  
SCALE 8:1

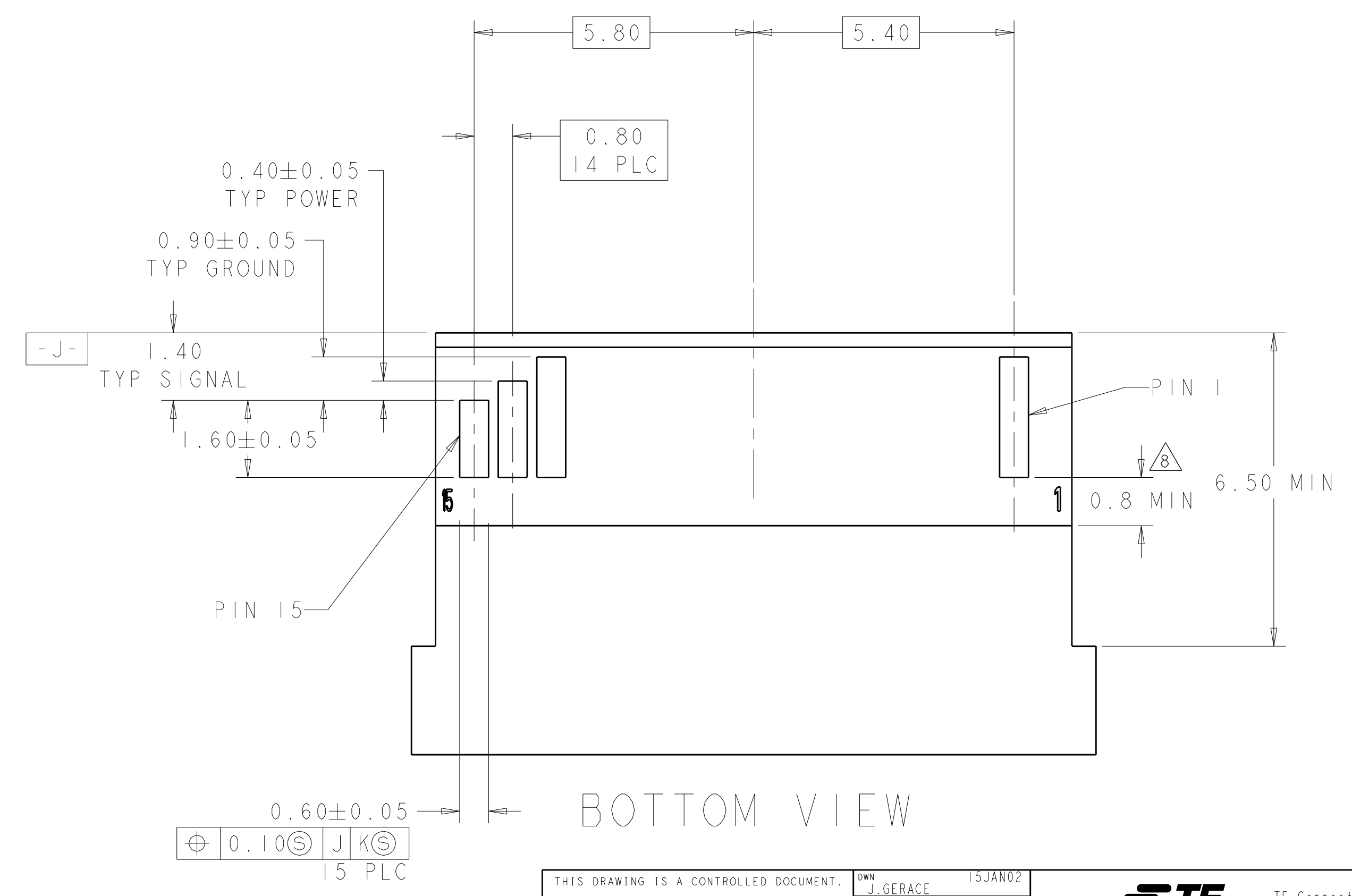


TOP VIEW



RECOMMENDED LAYOUT DETAIL  
MATING PCB

SCALE 12:1



BOTTOM VIEW

|  |             |                              |   |
|--|-------------|------------------------------|---|
| THIS DRAWING IS A CONTROLLED DOCUMENT. |             | OWN: J. GERACE 15JAN02       | TE Connectivity   |
| DIMENSIONS: mm                         |             | CHK: J. KOPPENHEFFER 15JAN02 |   |
| TOLERANCES UNLESS OTHERWISE SPECIFIED: |             | APPD: M. WALMSLEY 15JAN02    | NAME: PT CONNECTOR ASSEMBLY, 30 POSITION, XFP, RTANG, 0.8MM PITCH |
| 9 PLC ±                                | 1 PLC ±0.10 | PRODUCT SPEC: 108-1949       | SIZE: CAGE CODE: DRAWING NO: RESTRICTED TO                        |
| 5 PLC ±                                | 4 PLC ±     | APPLICATION SPEC: 114-13017  | A100779C=788862   |
| ANGLES ±                               | FINISH ±    | WEIGHT: -                    | SCALE: 8:1 SHEET: 2 OF 2 REV: G1                                  |
| MATERIAL: -                            | FINISH: -   | CUSTOMER DRAWING             |   |